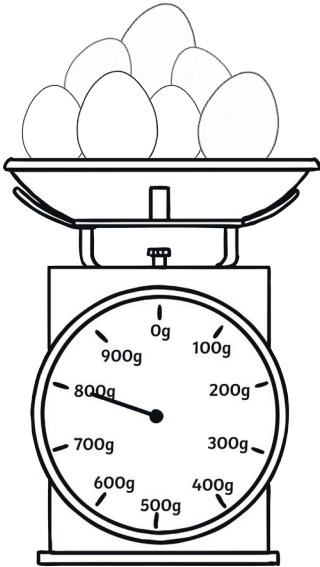


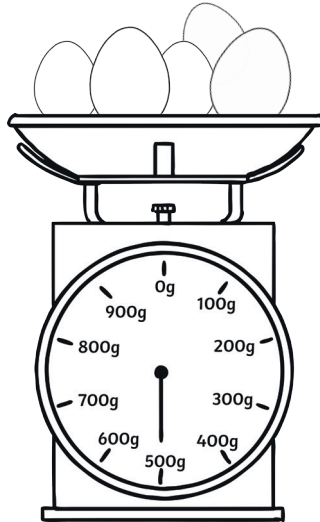
# Easter Basket Weight Measurement

I can measure and record weight in grams. (ACMMG084)

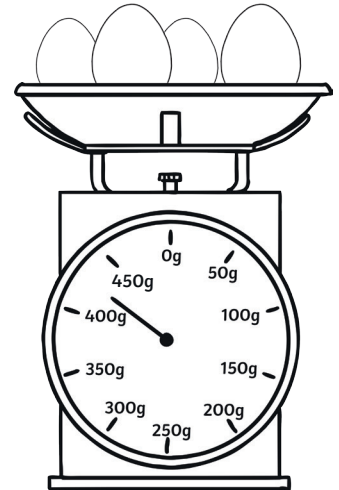
Read the scales of each Easter basket and record the weight.



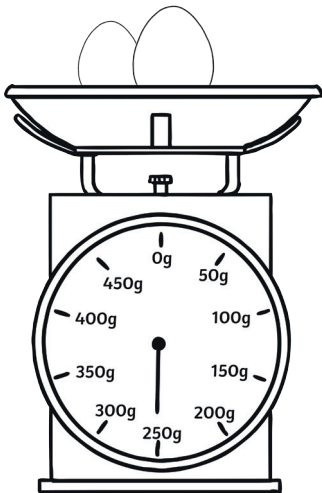
a. \_\_\_\_\_



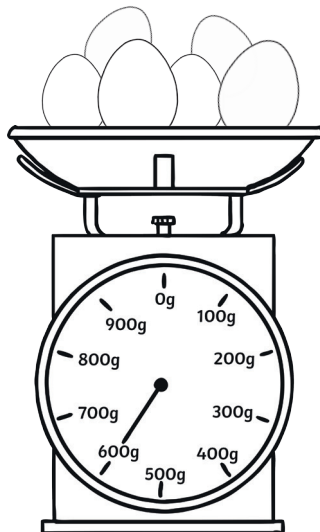
b. \_\_\_\_\_



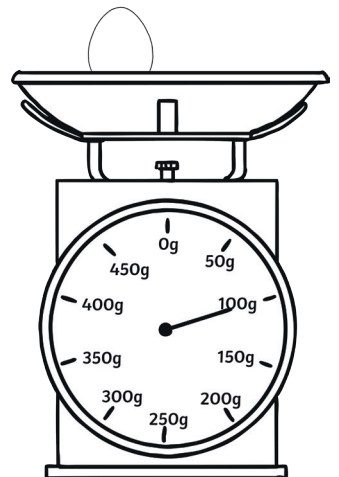
c. \_\_\_\_\_



d. \_\_\_\_\_



e. \_\_\_\_\_



f. \_\_\_\_\_

Order the Easter baskets from lightest to heaviest.

lightest \_\_\_\_\_ heaviest

# Easter Basket Weight Measurement Answers

- A. 800g
- B. 500g
- C. 425g
- D. 250g
- E. 600g
- F. 100g

Order the Easter baskets from lightest to heaviest.

F, D, C, B, E, A