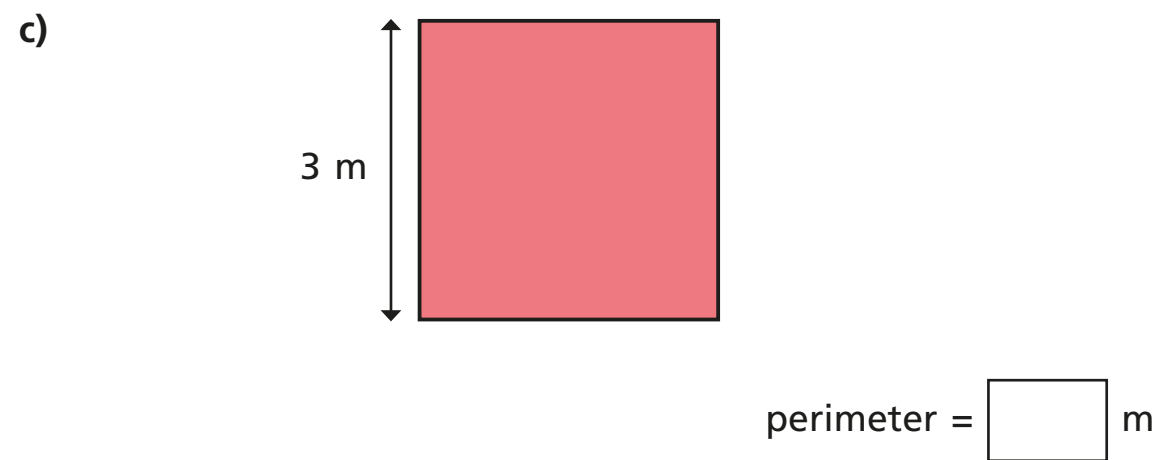
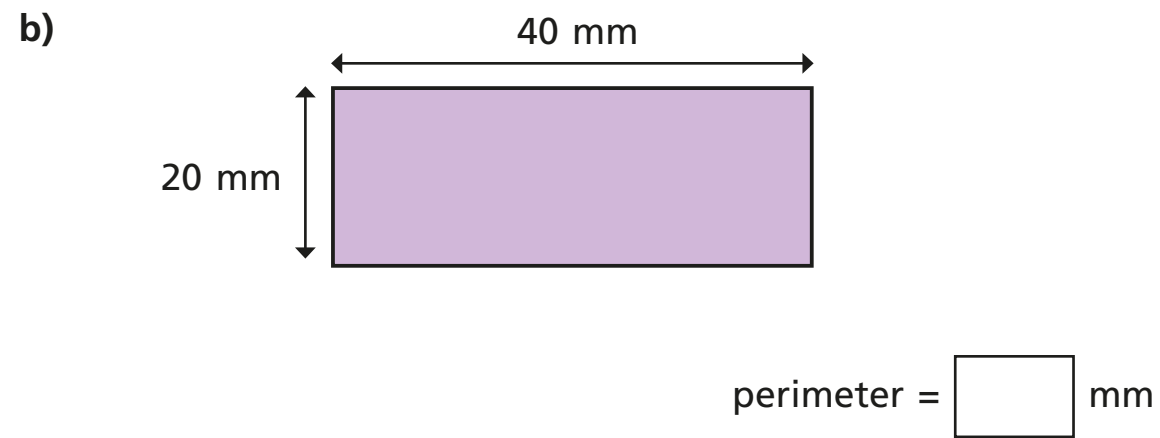
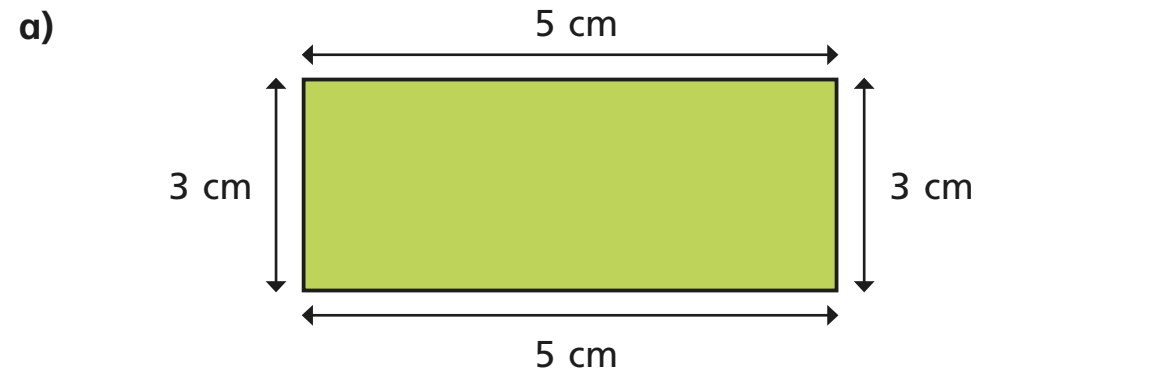
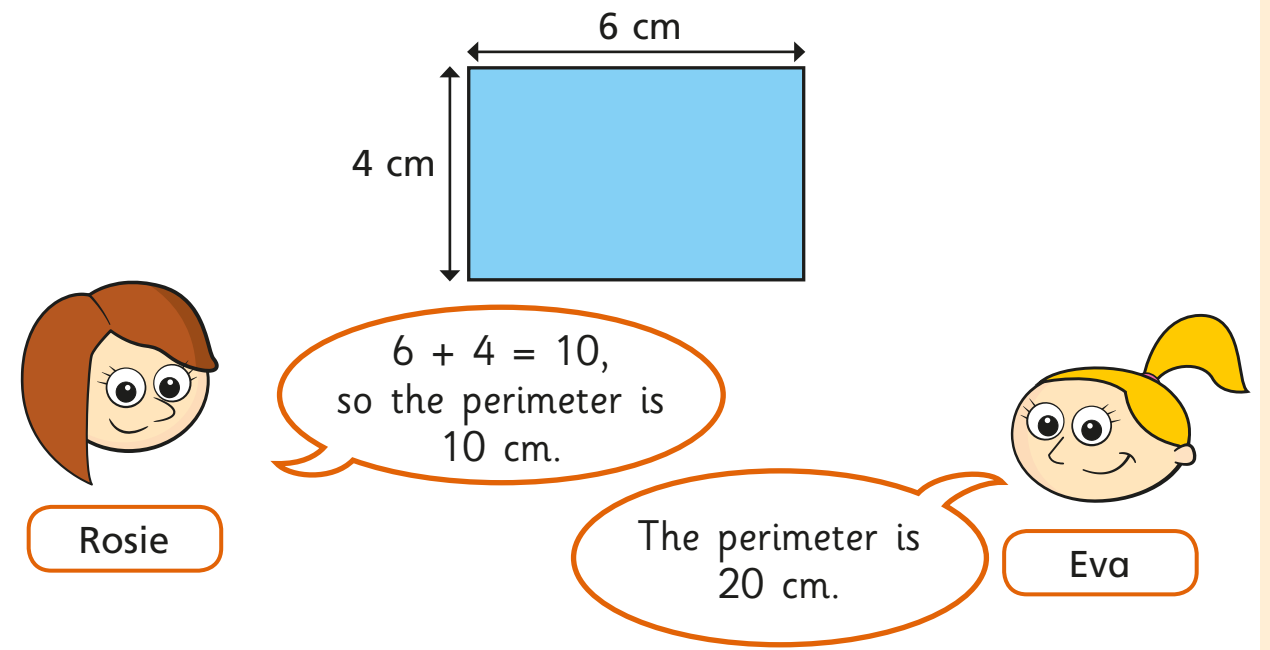


Calculate perimeter

1 Work out the perimeter of each shape.



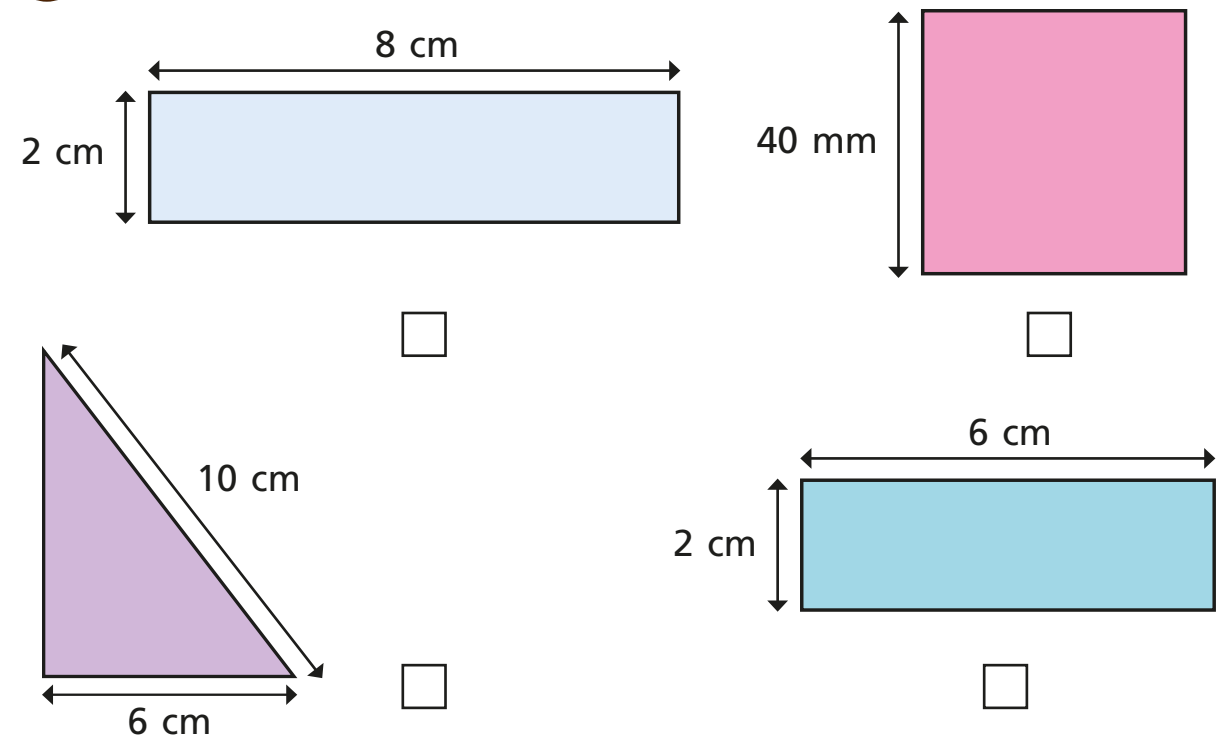
2 Rosie and Eva work out the perimeter of the shape below.



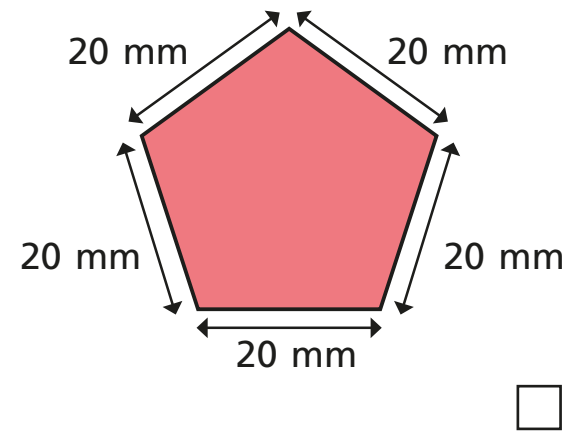
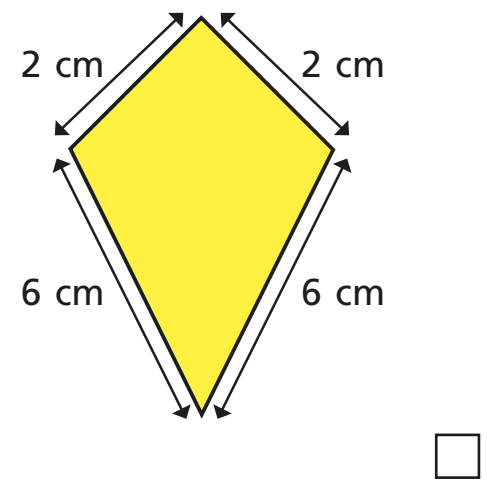
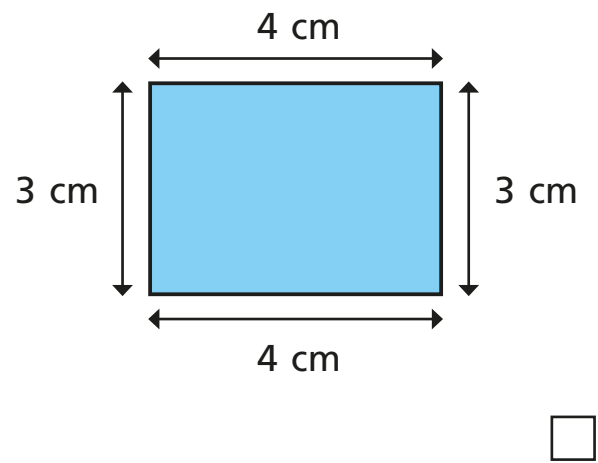
Who is correct? _____

How do you know?

3 Tick the shapes with a perimeter of 16 cm.

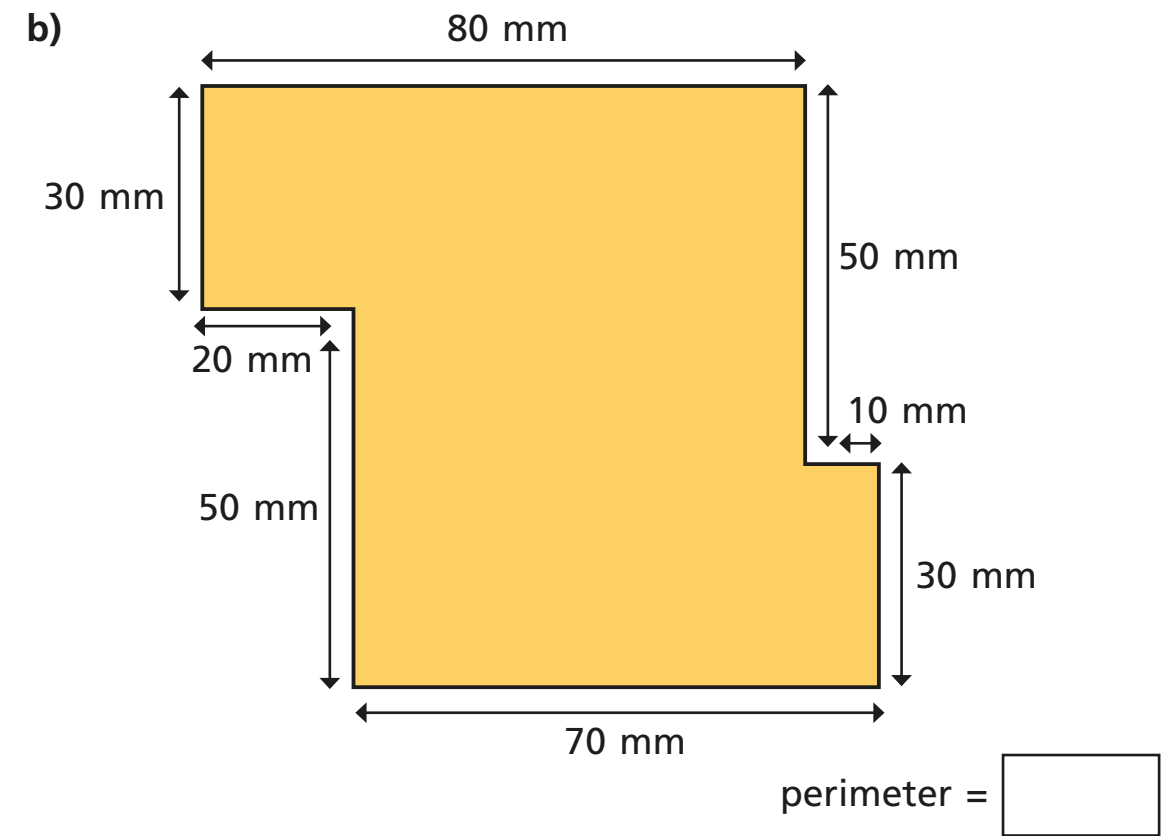
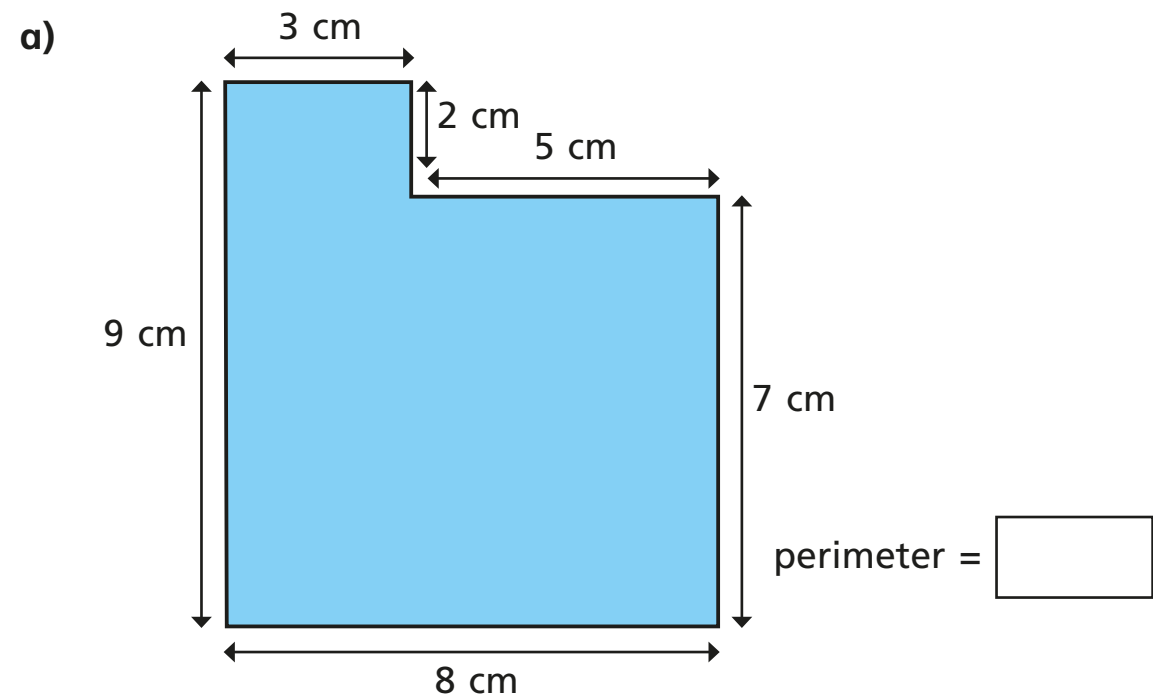


4 Which shape has the longest perimeter? Tick your answer.



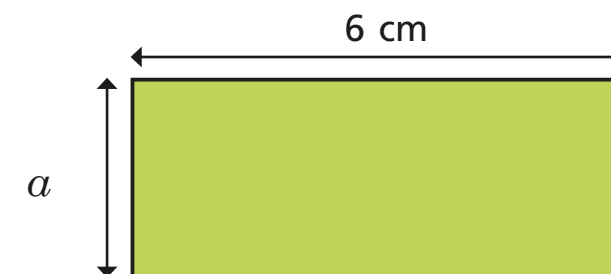
Show all your workings.

5 Work out the perimeter of these shapes.



What do you notice?

6 This rectangle has a perimeter of 18 cm.
Work out the length of side a .



perimeter = 18 cm
side a =